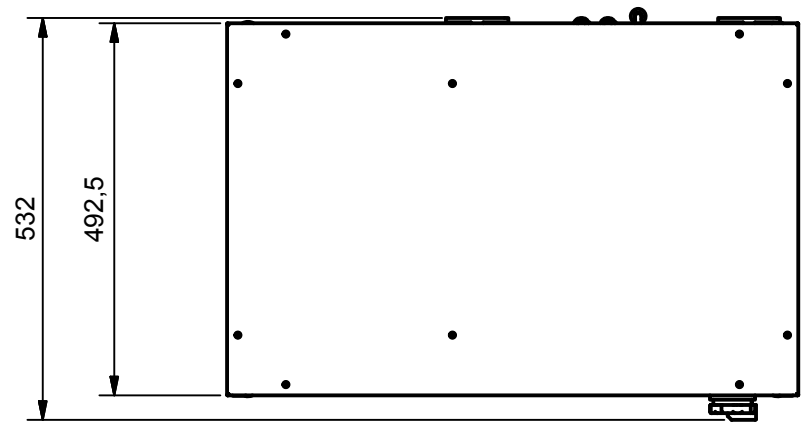
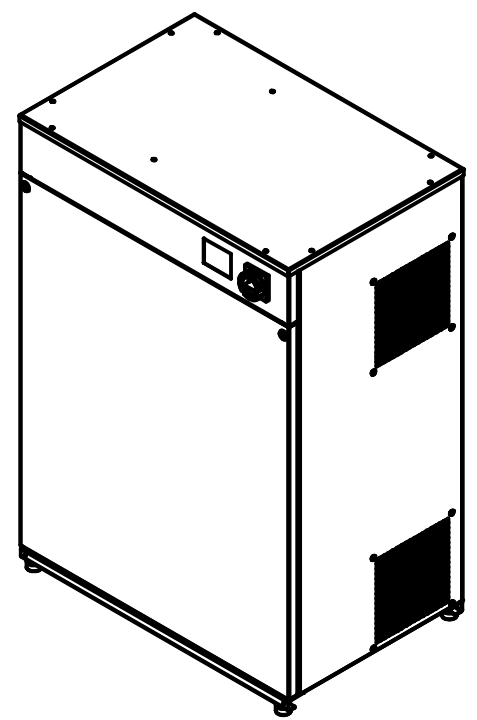
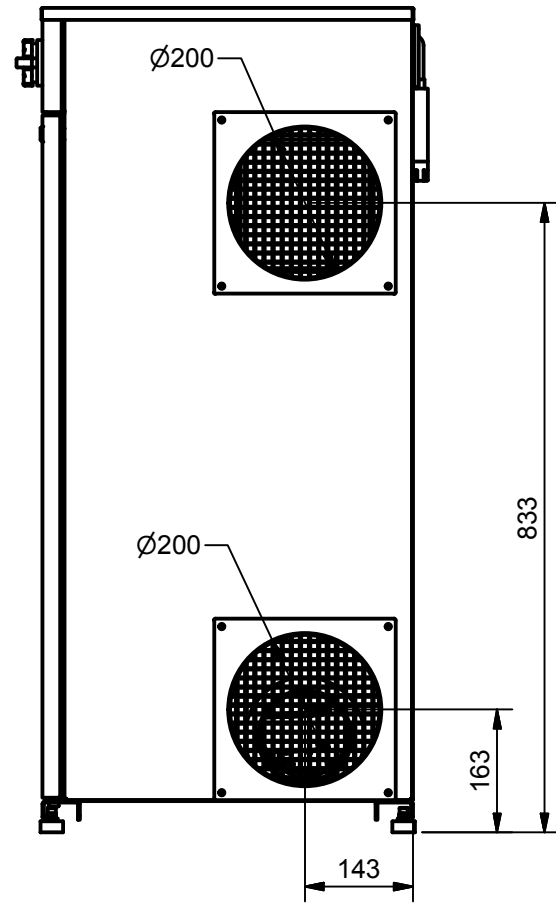


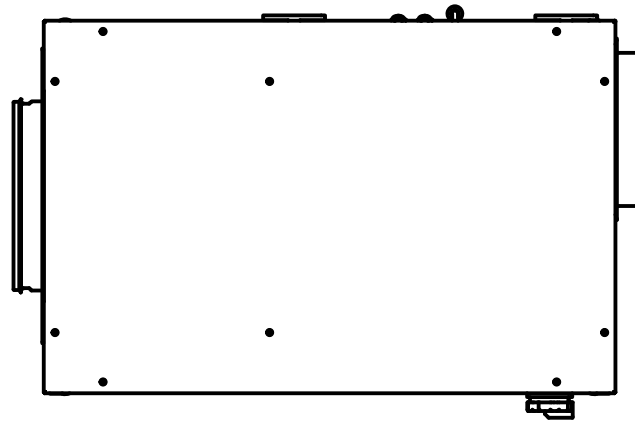
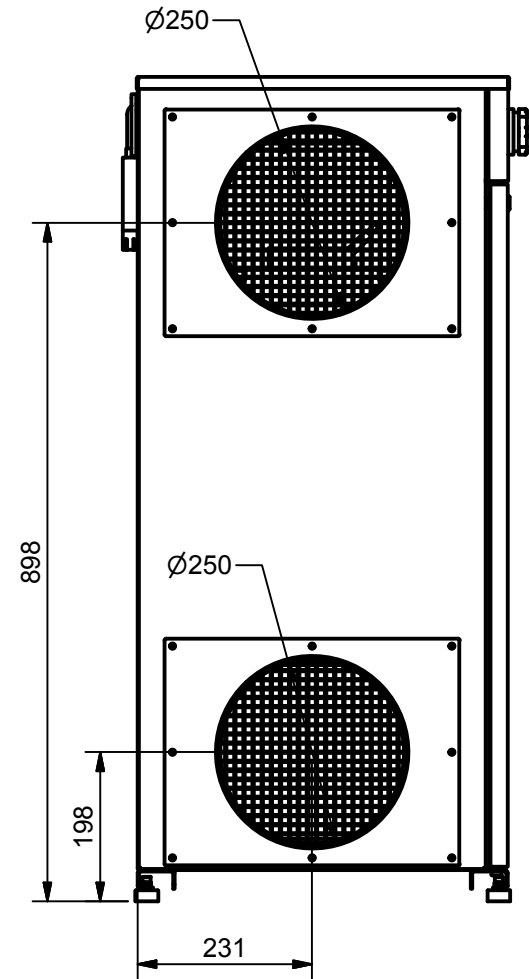
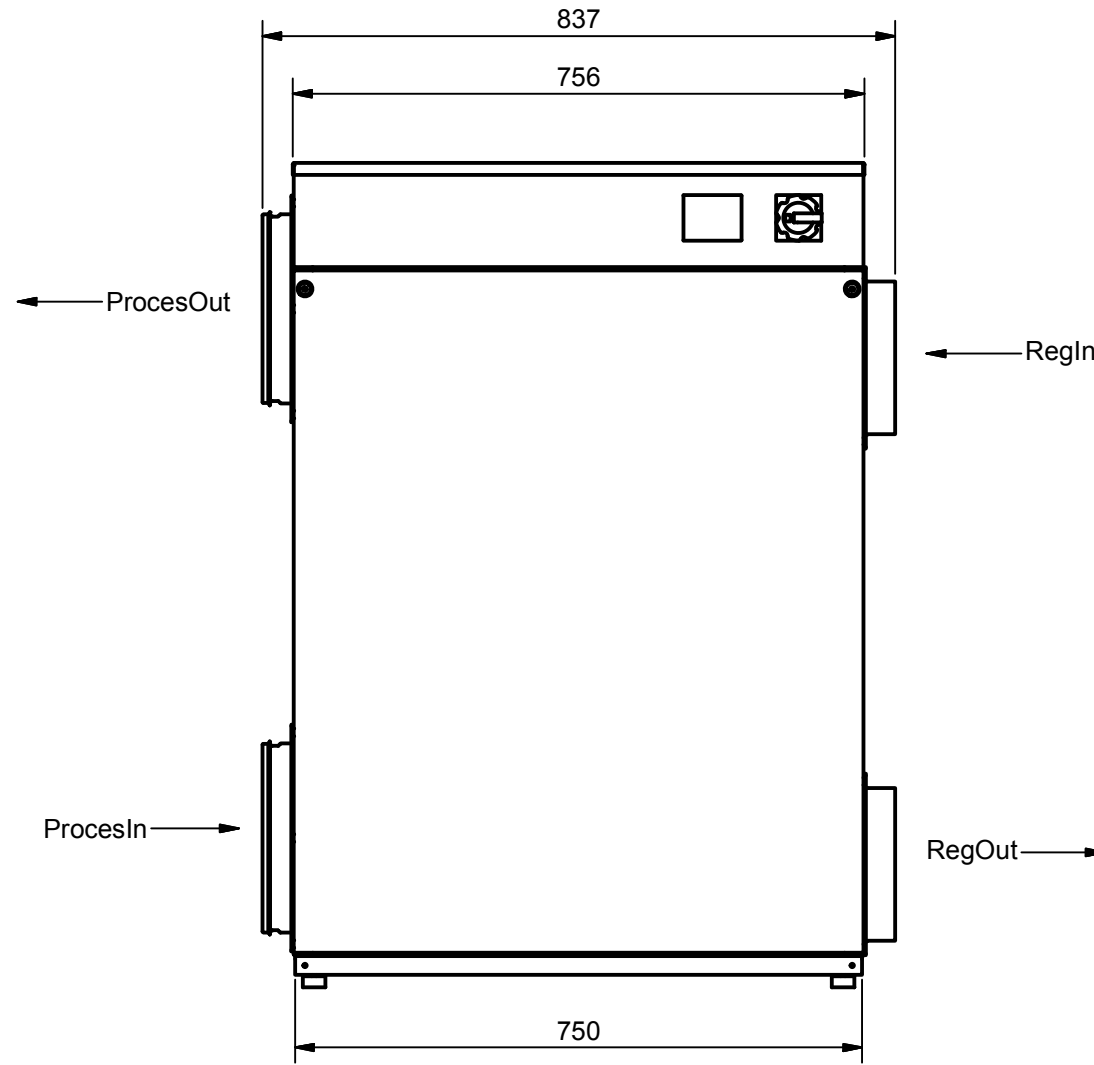
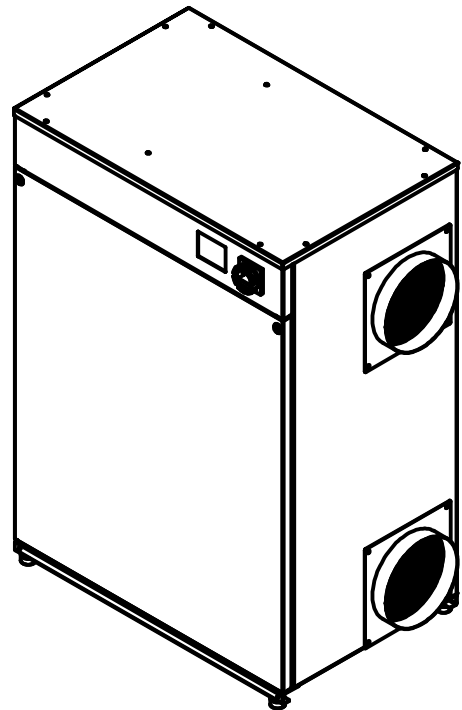
(1 :15)



COTES A/S Industrivej 31A DK-4230 Skælskør +4558196322 info@cotes.dk	COTES C35E/C35D/C35C	Designed by: THO Checked by: BNI	Date: 05-05-2014 Date: 05-05-2014	Mass: 102-110kg	Scale: 1:10	Format: A3
		Material No.:		Drawing No.:		Sheet: 1
						Rev.



(1 : 15)



COTES A/S Industrivej 31A DK-4230 Skælskør +4558196322 info@cotes.dk	COTES C35E/C35D/C35C	Designed by: THO Checked by: BNI	Date: 05-05-2014 Date: 05-05-2014	Mass: 102-110kg	Scale: 1 : 10	Format: A3
		Material No.:		Drawing No.:		Sheet: 2
						Rev.